

M10

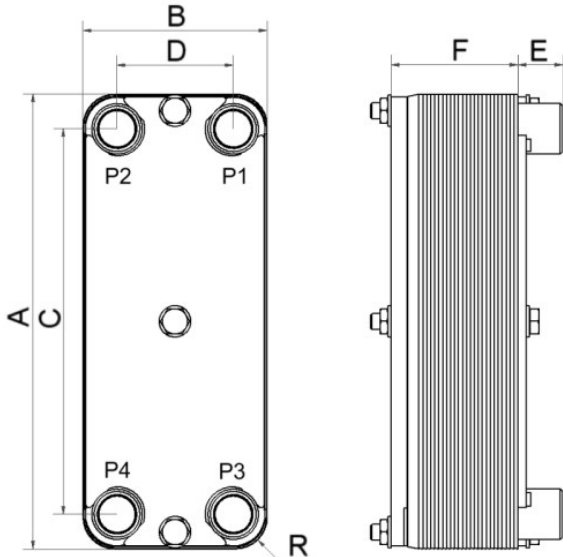
The Minex is a hybrid PHE (plate and frame heat exchanger) sealed by gaskets rather than brazing. It is a small unit, so it does not need the typical support frame used for traditional PHEs. The gaskets and plates can be of various materials, and the frame and plate materials need not be the same. The snap-in-place connections allow different metals to be used without the risk of weld deterioration.



Basic specifications

Maximum number of plates (NoP)	60
Max flow	9 m³/h (39.63 gpm)
Channel volume	0.042/0.042 dm³ (0.0015/0.0015 ft³)
Material	316 Stainless Steel Frame, Titanium Plates, NBR
Weight excl. connections	4.51+(0.11*NoP) kg 9.94+(0.243*NoP) lb
Max Particle Size (mm)	1

Standard dimensions



#	MM	IN
A	287	11.3
B	116	4.57
C	243	9.57
D	72	2.83
F	20,00+2,28*(NoP)	0.79+0.09*(NoP)
G	0	0
R	22	0.87
E_1	33	1.3
E_2	37	1.46

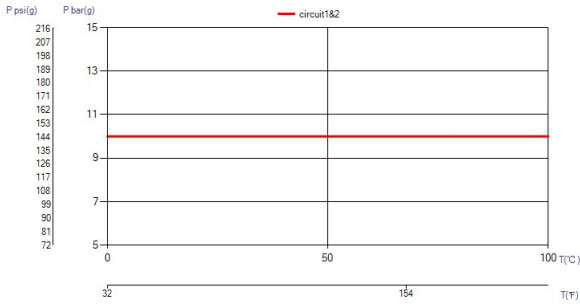
Available connections



Threaded Connection

*For specific dimensions, or information about other types of connections, please contact your SWEP sales representative.

PED Pressure / Temperature



Product Concept

Thanks to an ingenious basic design, M10 combines excellent heat transfer with a compact size despite the use of rubber gaskets. For applications with small and moderate flows, M10 offers great opportunities for precise customization. The product can be adapted for numerous configurations and material combinations, e.g. titanium channel plates.

3rd party Approvals

Most SWEP products are approved by below listed certification organizations: Europe, Pressure Equipment Directive (PED) America, Underwriters Laboratories Inc (UL) Japan, Kouatsu-Gas Hoan Kyokai (KHK) Additionally SWEP holds approvals from a vast variety of other certification organizations. For more details please contact your local SWEP representative. SWEP reserves the right to make changes without prior notice.

Find product solution - SSP

With SWEP's unique SSP, the SWEP Software Package, you can do advanced heat transfer calculations yourself. It's also easy to choose connections and generate drawings of the complete product. If you would like advice, SWEP offers all the service and support you need. Several SWEP accessories are also available to fulfill additional needs.

Disclaimer

The information and recommendations in regards to the products are presented in good faith, however, SWEP makes no representations or warranties as to the completeness or accuracy of the information. Information is supplied upon the condition that the purchasers will make their own determination as to the products' suitability for their purposes prior to use. Purchasers should note that the properties of the products are both application and material selection dependent and that products containing stainless steel are still object to corrosion if used in unsuitable environments. Standard data is presented, product variants with different data may exist. Contact your SWEP sales representative for more details. SWEP may change any data without notice.